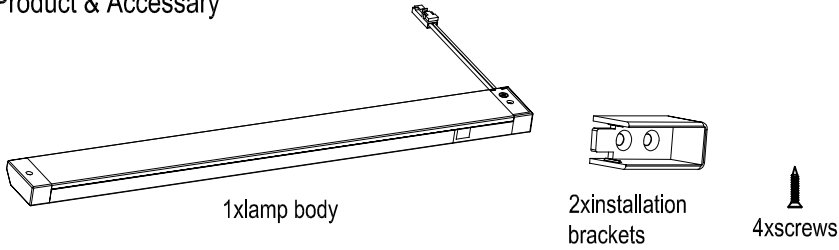
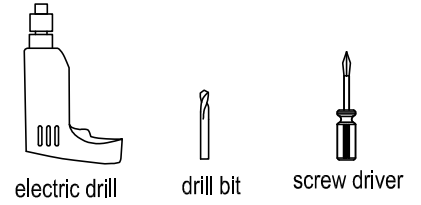


INSTALLATION MANUAL

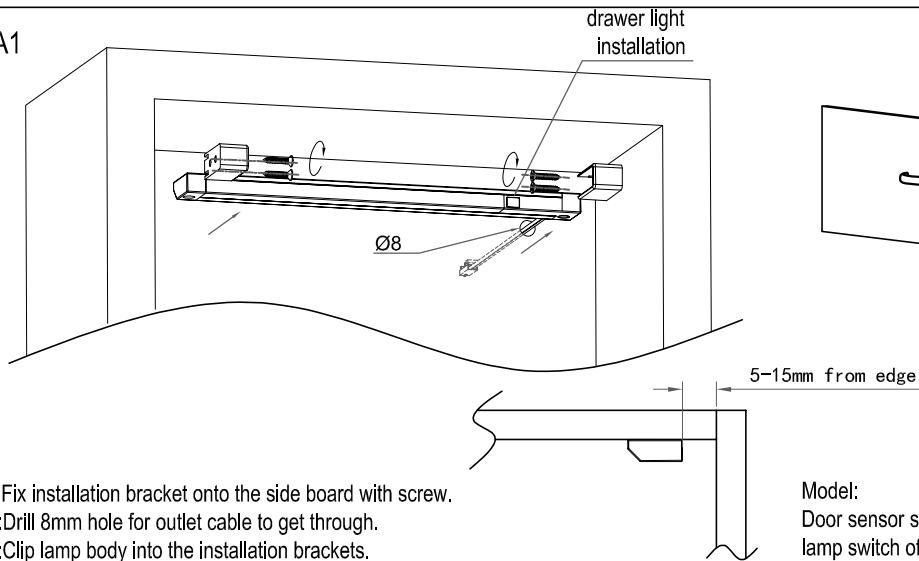
Product & Accessory



Installation Tools



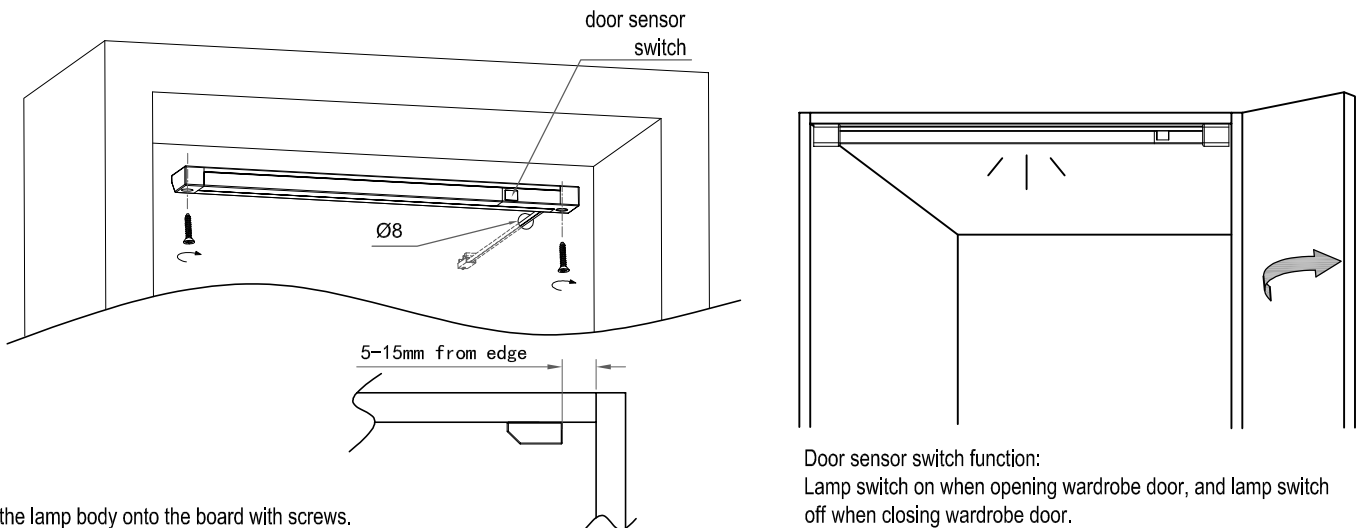
A1



- 1: Fix installation bracket onto the side board with screw.
- 2: Drill 8mm hole for outlet cable to get through.
- 3: Clip lamp body into the installation brackets.

Model:
Door sensor switch function: Lamp switch on when opening drawer, and lamp switch off when closing drawer.

A2



- 1: Fix the lamp body onto the board with screws.

Door sensor switch function:
Lamp switch on when opening wardrobe door, and lamp switch off when closing wardrobe door.

A3 Connection Diagram

